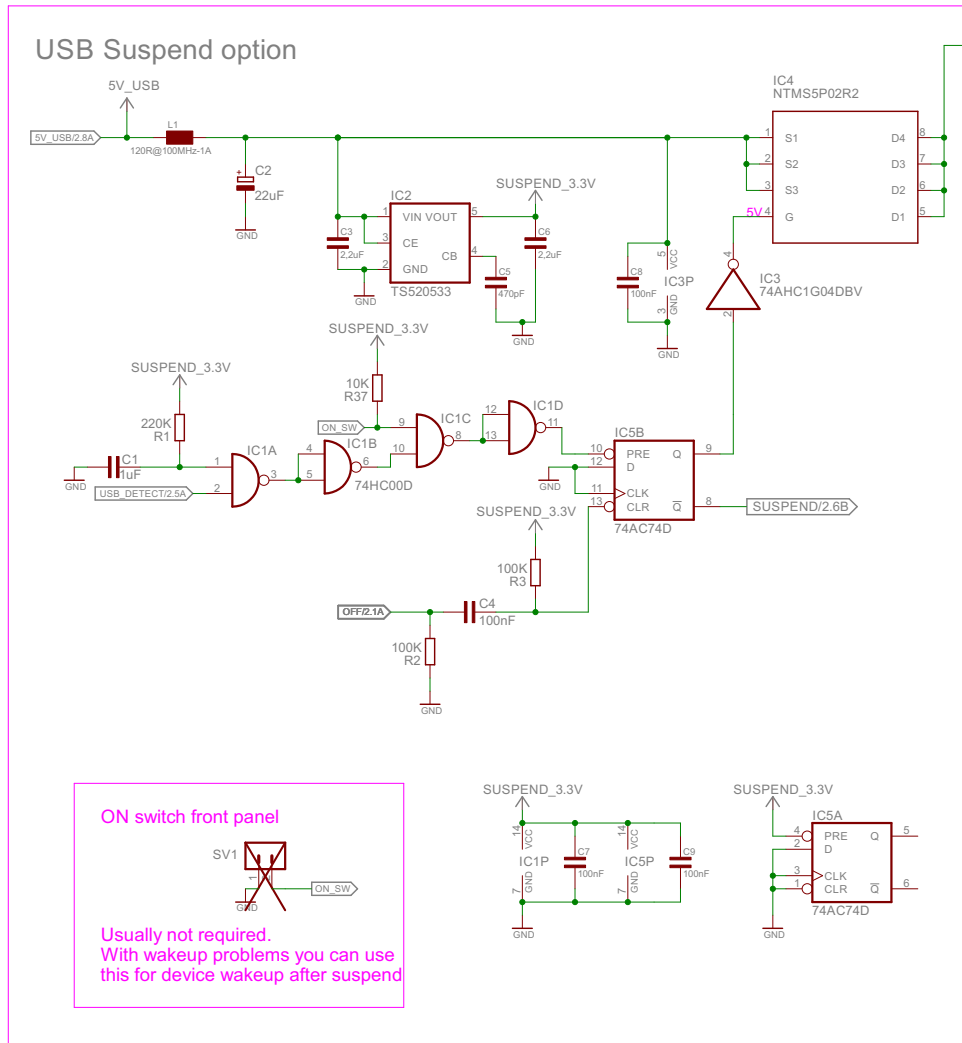


Power Supply

USB Suspend option

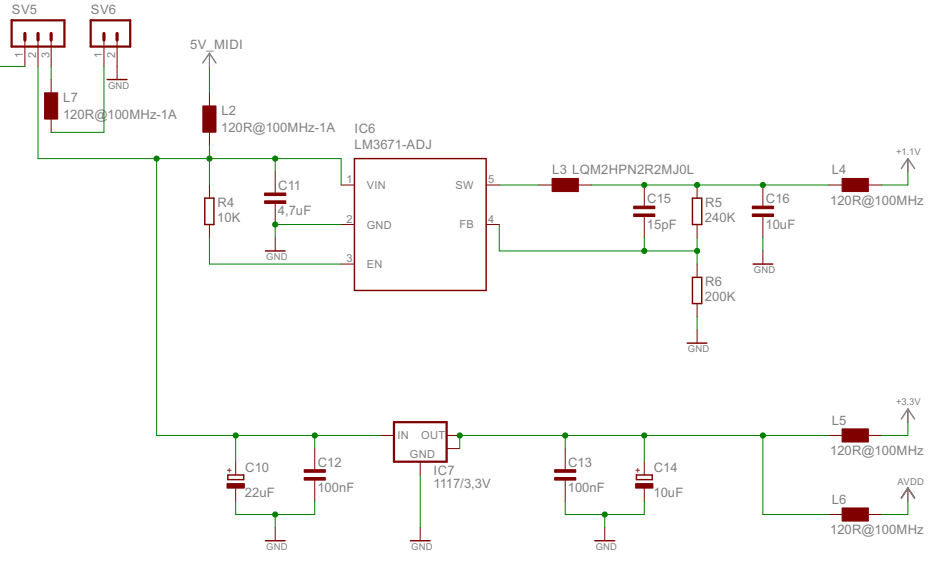


ON switch front panel

Usually not required.
With wakeup problems you can use this for device wakeup after suspend

SV5 - Supply option
USB powered or external 5V supply

SV6 - Supply header
5V and GND



- PASSER_1
- PASS6
- PASSER_1
- PASS5
- PASSER_1
- PASS4
- PASSER_1
- PASS3
- PASSER_1
- PASS2
- PASSER_1
- PASS1
- H4 MOUNT-HOLE3.2
- H3 MOUNT-HOLE3.2
- H2 MOUNT-HOLE3.2
- H1 MOUNT-HOLE3.2

Ploytec_Logo

π ploytec Ploytec GmbH	USB 3.0 MIDI Junction Rev 1.2
	11.07.2017 17:16:12
by FF	Sheet: 1/2

